



Wood shelving not included

## HEAVY DUTY FULLY ADJUSTABLE SHELF SYSTEM.



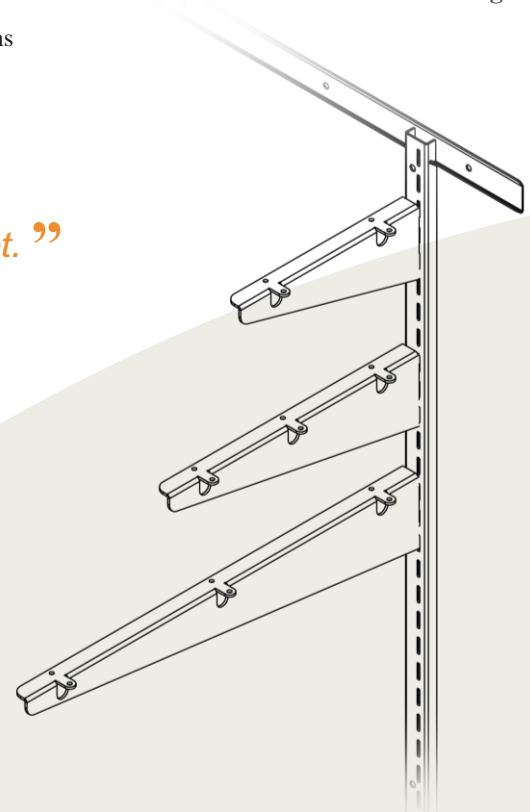
A heavy duty shelf system for any use. Shelf spacings are fully adjustable and three different shelf bracket lengths are available. Optimal shelf

widths are 12" 16" and 24". A convenient cross hanger is supplied so that all shelf brackets are perfectly aligned.

*“ This is simply the most adjustable and straightforward shelf system on the market. ”*

The Infocus Heavy Duty Shelf System has a patented shelf connection system. Wing-bent tabs on each bracket allow shelf joints to be made at any bracket. This maximizes the weight capacity of the shelving material being used and eliminates the need for separate shelf connection plates.

- Easy Setup
- Fully Adjustable
- Thick 12 Gauge Material
- 3 Different Shelf Lengths
- Safety Lock System
- No Shelf Joint Required
- Baked on Powder coating



▶▶▶ Designed To Last